

Operating Instructions

Series WC80000 Welding Cable Reels

Model Numbers:

[WC80001](#)

[WC80002](#)

[WCH80001](#)



Dimensions

	WC	WCH
A	24"	24"
B	25 3/8"	25 3/8"
C	10"	10"
D	16"	15"
E	6"	6"

A technical drawing of the welding cable reel showing dimensions A through E. Dimension A is the width of the reel. Dimension B is the height of the reel. Dimension C is the width of the base. Dimension D is the height of the base. Dimension E is the width of the base. The drawing shows the reel from a top-down perspective and a side view.

Four 1/2" diameter mounting holes

IMPORTANT

Read this manual carefully before installing, operating or servicing this equipment.

SAFETY

Personal injury and/or equipment damage may result if proper safety precautions are not observed.

- Ensure that only a qualified electrician installs/services this equipment.
- Ensure that power supply voltage does not exceed maximum voltage rating of reel.
- Ensure that reel is properly installed before connecting to power supply.
- Ensure that all electrical power is removed from reel before servicing.
- Check for frayed/broken wires before each use.
- Pull electrical cord from reel by grasping the electrical cord itself, not the work device.
- If an electrical malfunction should occur, remove power from reel immediately.

- Ensure that reel, electrical cable, and equipment being serviced are properly grounded. Use an ohmmeter to check ground continuity.
- If reel ceases to unwind or rewind, remove power immediately. Do not pull or jerk on electrical cable!
- Treat and respect the cable reel as any other piece of machinery, observing all common safety practices.

WARNING: Even low voltage can cause irreparable damage or death! Exercise extreme caution while operating or servicing this equipment.

WARNING: This reel is to be used for cable storage only! The entire length of cable must be unwound before use. Severe damage to the reel will result if the cable is energized while fully wound on the reel.

Form# 1155-304 Rev: 10/2018

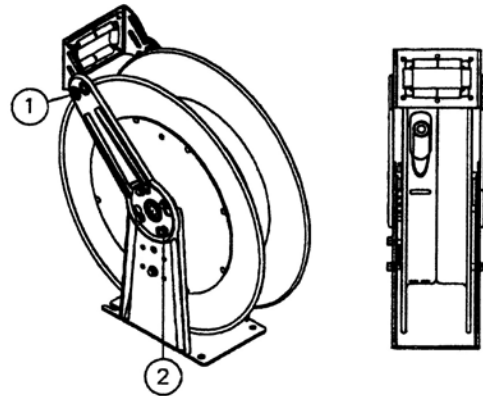
INSTALLATION INSTRUCTIONS

Ensure that only a qualified electrician installs/service this equipment. Observe applicable NEC, OSHA, and local codes when installing this equipment.

MOUNTING

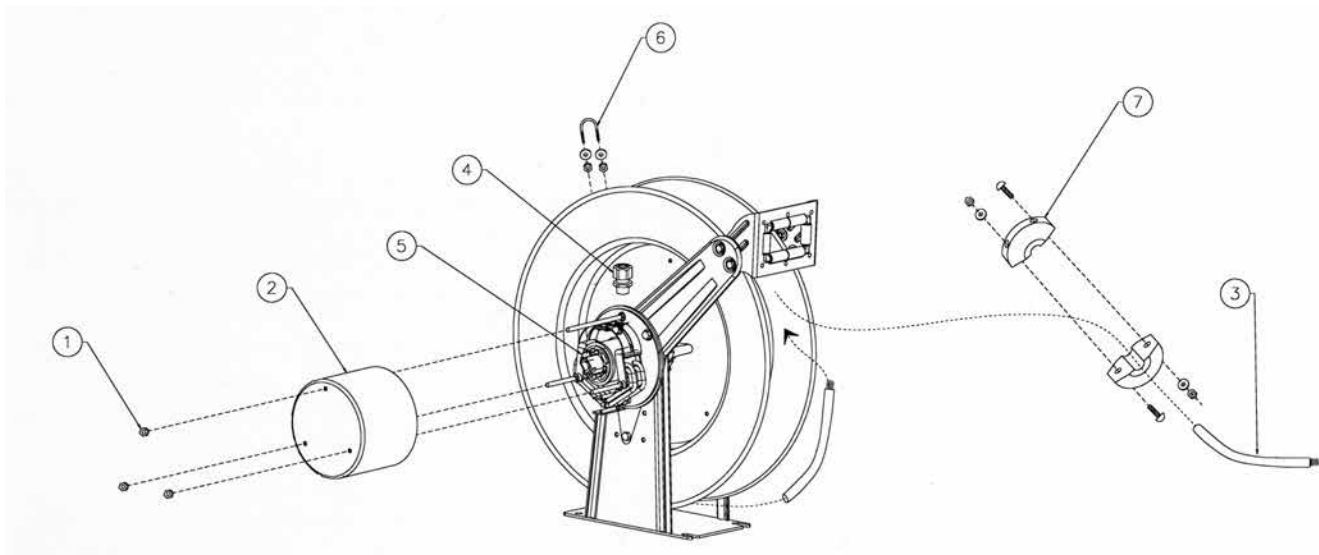
Caution: Unless reel was specified differently when ordering, maximum installation height is 16 feet. Do not exceed this distance.

1. Unpack and inspect reel for damage. Turn by hand to check for smooth operation. Check for completeness.
2. Configure reel for top, side or bottom hose dispensing by removing the bolts (1) from one side of the guide roller bracket and loosening the four guide arm bolts (2) on each side of the cable reel. Rotate and remove each guide arm then reinstall in the desired configuration.
3. Position reel on floor, wall, or ceiling. Secure into place using four (customer supplied) bolts.

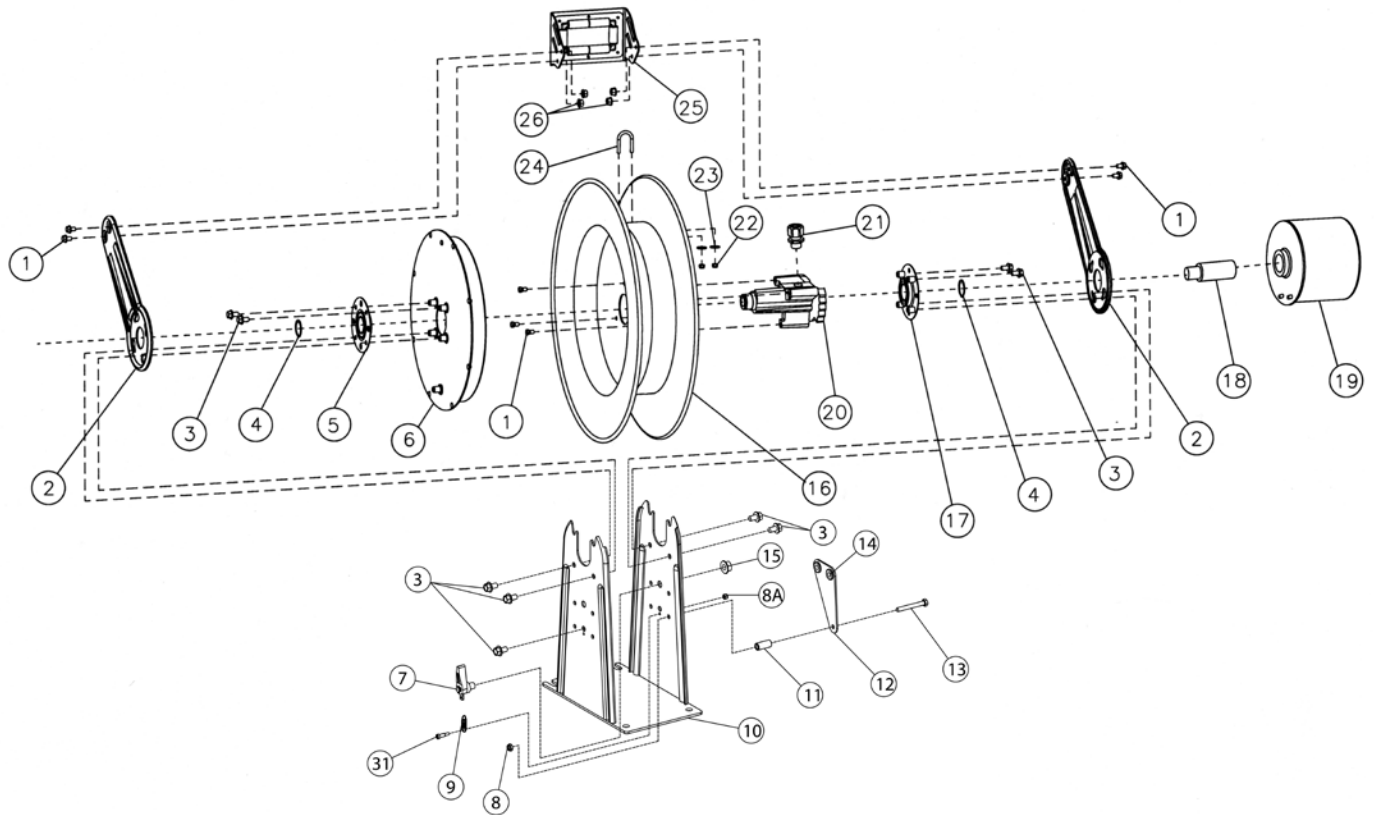


INSTALLING THE OUTPUT CABLE

1. Remove the three outer nuts (1) on the collector ring cover, and remove the cover (2).
2. Strip 1 1/8" of installation from the output cable (3), and insert the cable around the reel spool (not through the guide arm opening).
3. Add protective tubing around opening in spool. Next route the output cable through the opening in the spool, through the strain relief (4), through the mainshaft, and then capture cable at end of collector ring with set-screw (5). Fasten the strain relief to the mainshaft and then tighten the cable with the strain relief.
4. Replace the collector ring cover (2) and secure with three outer nuts (1).
5. Fasten cable to spool by capturing with u-bolt (6) and then tightening to spool with washers and nuts.
6. Wrap all of the output cable around the spool.
7. Once cable is wound on the spool add additional turns (2-3 should be sufficient) to add tension to cable.
8. Add bumper (7) to cable at desired location.
9. Using an ohmmeter, check for ground faults.



Series WC80000 Welding Cable Reels



Item #	Description	# Req.	WC80001	WC80002	WCH80001
1	Machine Screw	7	S44-10	S44-10	S44-10
2	Guide Arm	2	261299	261299	261299
3	3/8-16 x 5/8" Machine Screw	9	S44-2	S44-2	S44-2
4	Snap Ring	2	S140-34	S140-34	S140-34
5	Bearing & Flange Assembly	1	S600644	S600644	S600644
6	Spring & Case Assembly	1	S600653-3	S600645-2	S600653-3
7	Latch Pawl Assembly	1	S600675	S600675	S600675
8	Nyloc Nut **	2	S85-7	S85-7	-----
8	Nyloc Nut	1	S85-7	S85-7	S85-7
8A	10-32 Nyloc Nut	1	S82-15	S82-15	S82-15
9	Latch Spring	1	S260067	S260067	260067-1
10	Base & Upright Assembly	1	600641	600641	600641
11	Spacer	1	390030-12	390030-12	390030-12
12	Mounting Plate	1	261809	261809	261809
13	1/4-20 x 2 1/2" Screw	1	S2-511	S2-511	S376-59
14	Grommet	2	261817	261817	261817
15	Hex Flange Nut	1	S280-8	S280-8	S280-8
16	Sheave Assembly	1	600649	600649	600649
17	Flange with Nut Sert	1	S600651	S600651	S600651
18	Main Shaft	1	261808	261808	261808
19	Collector Ring Assembly	1	600987	600987	602687
20	Welding Cable Shaft	1	261812	261812	262933
21	Cord Grip Assembly	1	261555	261555	262916
22	1/4-20 Nyloc Nut	2	261650-1	261650-1	261650-1
24	U-bolt	1	3-117440	3-117440	3-117440
25	Roller Bracket Assembly	1	S600642	S600642	S600642
26	Lock Nut	4	300107	300107	300107

****Prior to March 2012**